



# GREYSTONE ENERGY SYSTEMS INC

## HEAVY DUTY WALL TEMPERATURE TRANSMITTER TE511/512F Series



The TE511/512F single point wall temperature sensor utilizes a precision platinum RTD sensor. The probe is constructed to provide excellent heat transfer, fast response and is potted to resist moisture penetration. A transmitter that provides a high accuracy signal with excellent long term stability, low hysteresis and fast response and is available with various ranges. (See ordering chart). A heavy duty ABS enclosure with hinged cover is provided. A LCD is provided in either °C (511) or °F (512).

### PART NUMBER SELECTED

### PRODUCT SELECTION INFORMATION:

MODEL	Product Description
TE511F	Heavy Duty Space Temperature Transmitter w/ LCD °C
TE512F	Heavy Duty Space Temperature Transmitter w/ LCD °F

CODE	Output
A	4-20 mA
D	0-5 Vdc
E	0-10 Vdc

CODE	Transmitter Scaled Range
1	0 - 35°C (32 - 95°F)
2	0 - 50°C (32 - 122°F)
*	Custom ranges available, please contact Greystone

TE511F	A	2
--------	---	---

Greystone Energy Systems, Inc. reserves the right to make design modifications without prior notice.

### SPECIFICATION:

Sensor.....	1000 ohm Platinum RTD
Sensor Accuracy .....	±0.3°C (±0.54°F) @ 0°C (32°F)
Probe Sensing Range.....	0 to 70°C (32 to 158°F)
Output Signal .....	4-20mA current loop, 0-5 vdc, or 0-10Vdc (factory configured)
Transmitter Accuracy .....	±0.1% of span, including linearity
Power Supply .....	<b>4-20 mA:</b> 15-35 Vdc or 22-32 Vac <b>0-5 Vdc:</b> 10-35 Vdc or 10-32 Vac <b>0-10 Vdc:</b> 15-35 Vdc or 15-32 Vac
Consumption: .....	<b>Current:</b> 22.5 mA Max (On open sensor) <b>Voltage:</b> 5 mA nominal
Input Voltage Effect .....	Negligible over specified operating range
RFI Rejection .....	Good RFI rejection of normal frequencies
Protection Circuitry .....	Reverse voltage protected and output limited
Display Units .....	°C (511 Series) or °F (512 Series)
Display Range .....	3 digit for -88.8 to 888 as necessary
Display Size .....	24 mm x 11 mm (0.95" x 0.45")
Ambient Range .....	0 - 70°C (32 - 158°F), 0-95% RH non-condensing
Enclosure .....	ABS, UL94V, IP65 (NEMA 4X)
Wiring Connection .....	Screw terminal block (14 to 22 AWG)

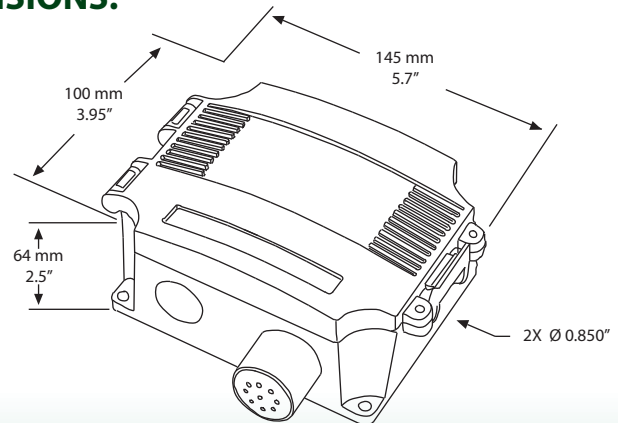
### TYPICAL INSTALLATION:

**For complete installation and wiring details, please refer to the product installation instructions.**

The TE511/512F can be mounted on any wall away from direct sunlight or heating/air conditioning sources. Mount with the sensing probe pointing towards the floor.

It can be mounted directly to a wall face using the 4 provided mounting holes. There is one 0.85" holes for conduit or cable gland connection.

### DIMENSIONS:



Greystone Energy Systems, Inc. (506) 853-3057 Fax: (506) 853-6014  
 150 English Drive, Moncton, NB North America: 1-800-561-5611  
 Canada E1E 4G7 e-mail: mail@greystoneenergy.com  
 www.greystoneenergy.com

RoHS COMPLIANT

